

-fanAm-

Inline Direct Drive
Centrifugal Tube Fans

GreenLine Series



GreenLine Series

FanAm's versatile GreenLine Series fans feature a plastic housing constructed of UL-recognized, UV-protected thermoplastic resin. This tough protective shell allows the fan to be mounted in outdoor and wet locations.* Ideal for multiple point exhaust, dual bathroom exhaust, or new room additions. FanAm's GreenLine Series fans are caulked at the motor screws, the wiring cables and along the seams of the fan to prevent moisture from entering the motor.

Dependable

GreenLine Series dependability comes from its unique direct drive motor design. Class B insulation combined with auto-reset thermal overload protection ensures a long trouble free lifespan with years of continuous duty. Ball bearings are permanently sealed and lubricated requiring no maintenance. The motor is rated for air stream temperatures up to 80°C (175°F). Motor design precludes any need for servicing. The fan blades are attached to the external rotor motor which provides excellent motor heat dissipation, even at almost zero RPM.

Mounting

The GreenLine Series fans come with a unique two piece mounting bracket. One piece is mounted at the desired fan location and the other one is mounted on the fan. The fan mounted bracket is snapped into place on the wall mounted bracket and can be easily removed by the press of a button.

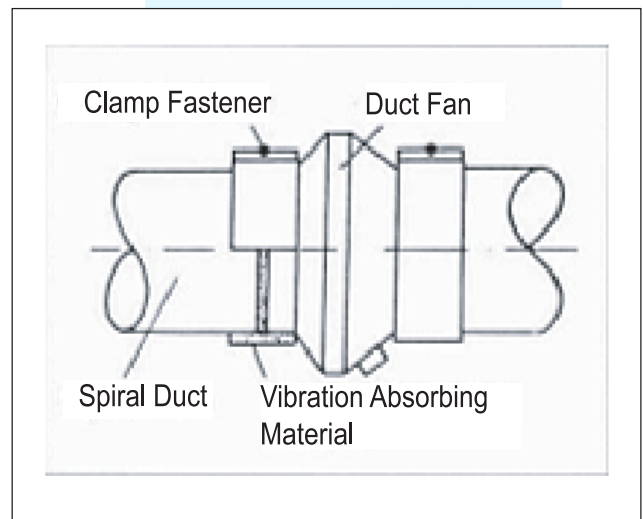
Speed Control

Because of the unique design incorporating the continuous duty motor, all GreenLine Series units are speed controllable from 100% to 0% through a decrease in the voltage. This can be achieved by using a solid state control.

Considerable power savings can be obtained through the fan's ability to match air flow to the actual requirement. Speed control can be set manually or automatically by means of a sensor.

Quiet and Efficient

The GreenLine Series fans have backward-inclined blades, which are more quiet than comparable axial fans. The internal fan blades ensure high volume and pressure. The GreenLine Series fans have been developed to allow for the easiest possible installation. They are also constructed in accordance with standard dimensions for spiral duct, which makes the installation simple; no transitions are required.

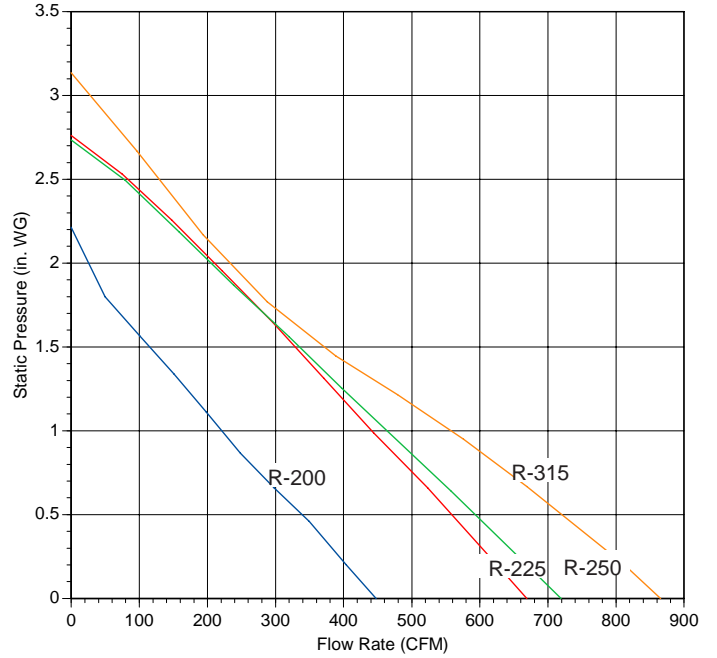
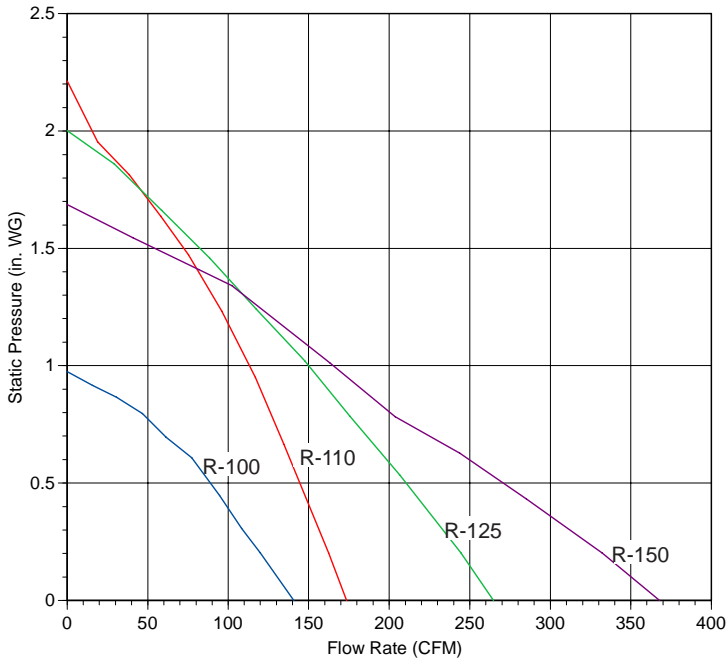


*The R-Series is not manufactured to operate with water running through the motor compartment, or to be used in applications where the fan would be buried underground. A UL-recognized waterproof conduit should be used for all outdoor applications to prevent moisture entry via knockout in wiring box.

-fanAm-

Quality and Reliability in a
Compact Space-Saving Design

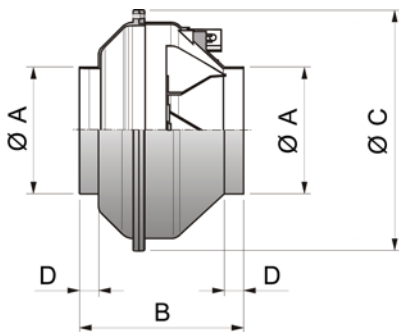
Performance Curves



Performance Table

Model	Duct Dia	Volts	Current Amp	Static Pressure (inches W.G)										
				0.0"	0.2"	0.4"	0.6"	0.8"	1.0"	1.5"	2.0"	2.5"	3.0"	Max Sp
R-100	4"	115	0.23	141	120	100	78	46	-	-	-	-	-	0.975"
R-110	4"	115	0.74	173	162	150	139	125	115	77	15	-	-	2.213"
R-125	5"	115	0.78	265	244	220	200	170	150	80	-	-	-	2.001"
R-150	6"	115	0.78	368	332	286	248	190	163	55	-	-	-	1.686"
R-200	8"	115	1.00	448	404	350	317	260	225	110	30	-	-	2.213"
R-225	8"	115	2.09	669	624	560	540	450	440	330	210	76	-	2.762"
R-250	10"	115	2.00	719	669	610	559	520	460	322	200	80	-	2.736"
R-315	12"	115	2.24	865	812	740	700	620	570	388	240	130	37	3.135"

Dimensional Data



Model	A	B	C	D
R-100	4	9.7	11.3	1.2
R-110	4	9.7	11.3	1.2
R-125	5	9.7	11.3	1.2
R-150	6	9.0	14.9	1.2
R-200	8	9.0	14.9	1.2
R-225	8	9.0	14.9	1.2
R-250	10	9.0	14.9	1.2
R-315	12	10.8	17.8	1.2

All dimensions in inches

Applications

- Air Curtain Supply
- Bathroom Exhaust
- Swimming Pool Ventilation
- Conference Rooms
- Spot Ventilation
- Duct Ventilation Booster
- Locker Room Exhaust
- Kitchen Ventilation
- Cooling Systems
- Smoking Lounges

Specifications are subject to change without notice.



-fanAm-



-fanAm-

2235 6TH STREET
SARASOTA, FLORIDA 34237

TEL. (941) 955-9788
FAX. (941) 955-9733
TOLL FREE (800) 838-4074
info@fanam.com
www.fanam.com

Distributed By: